



"From time of pour to finished floor...we've got you covered"

INTRODUCTION

Thank you for choosing a Shark Industrial Vacuum Cleaner, a high-quality product based on the newest state-of-the-art technology. We hope that this machine will be to your satisfaction and meet your expectations. We are continuously striving to improve our products in our product range and will continue to supply the market with new equipment.

NOTICE

1. These instructions are only for H12 / H24 / H36 Dust Extractors.
2. The H12, H24 & H36 are two stage filtration dust extractors, primary with a F8 conical filter, secondary with 1 / 2 / 3 H13 HEPA filter. Each of the HEPA filters is individually tested with the efficiency > [99.99%@0.3µm](#). Designed to clean construction areas and be connected to small electrical machines such as drills, grinders etc. The machine is suitable for picking up dry, non-flammable dust and debris in and indoor environment. It is not suitable for picking up liquids.
3. Please pay particular attention to the safety regulations and safety instructions
4. Read the complete instruction manual before using.
5. All spare parts and accessories used with this device must be those specified by Bersi.
6. Check before and after use that all the switches are in OFF position.

Environmental protection

The packaging material can be recycled. Please do not throw the packaging material into household waste; please send it for recycling.

Old devices contain valuable materials that can be recycled; these should be sent for recycling. Batteries, oil, and similar substances must not enter the environment. Please dispose of your old devices using appropriate collection systems.

1. SAFETY INSTRUCTIONS

When using an electrical appliance, basic precautions should always be followed, including the following:

WARNING – To reduce the risk of fire, electric shock or injury:

- Cables damaged through crushing or splitting can be dangerous if used and should be replaced immediately. Risk of personal injury.
- Make sure the assembly area is firm, so the dust extractor does not tip over. Risk of personal and material injury.
- Risk of pinching when handling the toggle fasteners.
- The machine must not be used in environments where explosive gases may be present. Serious risk of explosion.
- Improper connection of the equipment-grounding conductor can result in a risk of electrical shock. Check with a qualified electrician or service person if you are in doubt as to whether the outlet is properly grounded. Do not modify the plug provided with the machine. If it will not fit the outlet. Have a proper outlet installed by a qualified electrician.
- Before using the machine, make sure that the power & voltage corresponds with the voltage shown on the machines rating plate.
- Do not leave machine when plugged in. Unplug cord from outlet when not in use and before cleaning or servicing machine.
- Do not use outdoors or on wet surface, this machine is for indoor and dry use only.
- Do not allow to use as a toy. Close attention is necessary when used by or near children.
- Use only as described in this manual. Use only manufacturers recommended attachments.
- Operators shall be adequately instructed on the use of the machine
- This machine is not intended for use by persons (including children) with reduced physical, sensory or mental capabilities, or lack of experience and knowledge.
- Do not use with damaged cord or plug. If the machine is not working as it should, has been dropped, damaged, left outdoors or dropped in water. Make sure it is repaired by a qualified person.
- Do not pull or carry by cord, use cord as handle, close a door on cord, or pull cord around sharp edges or corners. Do not run the machine over cord. Keep cord away from heated surfaces.
- Do not unplug by pulling on cord. To unplug, grasp the plug. Not the cord.
- Do not handle plug or machine with wet hands.
- Regularly inspect cord and plug for damage. If cord is damaged, it must be replaced by a qualified person in order to avoid hazard.
- Do not put any object into openings. Do not use with any opening blocked (accept during filter cleaning procedure). Keep free of dust, hair and anything that may reduce airflow.
- Keep hair, loose clothing, fingers and all parts of body away from openings and moving parts.
- Turn off all controls before unplugging.
- Do not use to pick up flammable or combustible liquids, such as gasoline, or use in areas where they may be present.
- Do not pick up any type of liquids.
- Do not pick up anything that is burning or smoking, such as cigarettes, matches or hot ashes.
- Use extra care when cleaning on stairs.
- Do not use without dust bag and/or filters in place. Replace collection system and/or filters as described in manual.
- If using an extension cord make sure the cord rating is suitable for this machine.
- Do not modify machine from its original design.
- Keep children and unauthorized persons away from machine when in use.
- All repairs must be performed by a qualified service person. Use only manufacturer-supplied or equivalent replacement parts.
- Do not expose machine to rain or moisture. Store indoors only.
- Connect to a properly grounded outlet only. See grounding instructions.

THERMAL PROTECTION

The dust extractor is equipped with a safety thermal protector to prevent motor from overheating. Should thermal protector activate, turn off machine, unplug power cord and check for full dust bag, vacuum hose clog or filter blockage. It may take up to 45 minutes for the thermal protector to reset.

GROUNDING INSTRUCTION

The dust extractor must be grounded. If it should malfunction or breakdown, grounding provides a path of least resistance for electric current to reduce the risk of electric shock. The dust extractor is equipped with a cord having an equipment-grounding conductor and grounding plug. The plug must be inserted into an appropriate outlet that is properly installed and grounded in accordance with all local codes and ordinances.

SAFETY LABEL

The safety label appears on the machine, next to the machines rating plate. Replace label if it is missing, becomes damaged or illegible. Failure to follow this warning label may result in fire, electric shock or injury.

2. UNPACKING

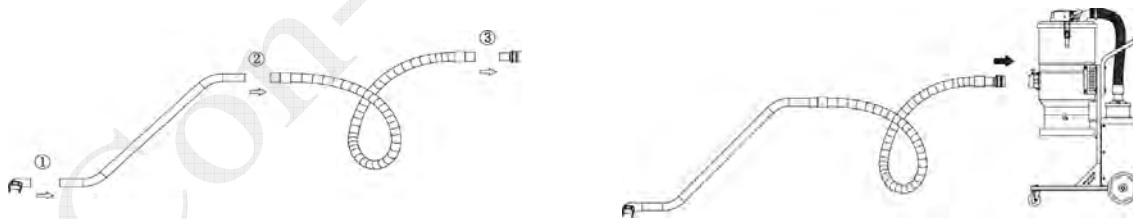
When unpacking the machine, please check that the following accessories are included:

- ✓ The hose with end fittings
- ✓ Wand
- ✓ Floor brush

If any of the above-mentioned parts are missing, please contact your local distributor or our sales representative. For models that do not already have the front casters assembled due to packaging limitations. Assemble the front casters using the using bolt or nut and washer that are included in the package depending on your application. Protect the environment:

Please dispose of packaging materials and used machine components in an environmentally safe way according to local disposal regulations. Always remember to recycle.

To assemble the accessories:



1. Connect the floor brush and wand
2. Connect the Wand and hose
3. Connect the hose and adaptor
4. Connect the accessories kit and the inlet

Note: Don't roll or twist the hose when working.

3. FUNCTION

The machine is designed for vacuuming and separating dry, non-combustible dust with an explosion limit value of 0.1mg/m³.

The dust extractor is started by the switch. **All the switches can operate independently.**

Type	Models with Jet pulse filter cleaning
2 step	0: Motor off, 1: Motor on



Notice !!!

Before connecting the power, please confirm the voltage is consistent with the label on the machine.

- Make sure the electric plug and socket are matching
- Make sure the hose and inlet are matching
- Connect the accessories and hose end



Notice !!!

- Turn on the machine until the motor stop working completely.
- Please disconnect the plug when the machine doesn't work.

Dust-laden air is then sucked through the inlet valve at high speed via the suction hose. The air is slowed down by the cyclone and coarse dust particles are separated out, partly by centrifugal force and partly by gravity. Air and finer particles then pass through the double filter system where separation is made. The machine is designed for filter cleaning by reverse air pulse.

The separated dust accumulates in the cyclone until the machine is switched off, when it drops through the bottom flap into the plastic bag. The filter cleaning process is not completed before it is clear that the dust inside the tank has fallen down into the collection bag. In some extreme cases the adhesive ability of the dust must be broken manually. This can be done by hitting the dust through the bag or tapping the tank using i.e. a rubber hammer.

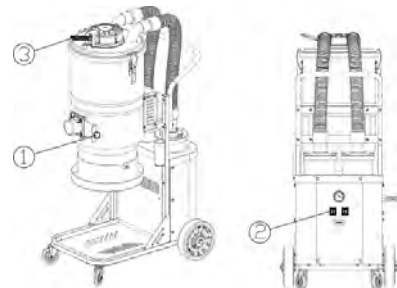
Automatic start function: When you use the dust extractor together with another machine, there is an electrical outlet on the dust extractor. Connect the machine to this outlet. Then when you start it up the dust extractor will also start after approx. 1-2 seconds. When you turn it off, the dust extractor will continue to run for approximately 10 seconds. To empty the hose. Then stop

4. FILTER CLEANING

The filter must be cleaned from time to time. This must be done before changing the bag collection system and should also be done when work is completed or when there is poor suction.

Procedure:

1. Push the damper to the left, cover the inlet.
2. Turn on the machine and wait 3 seconds, let the machine build up vacuum.
3. Quickly push down on the key and wait 3 seconds.
4. Repeat the procedure five times.
5. Turn off the motor and wait until it stops completely, then uncover the inlet.



!!! It is important to let the machine rebuild the vacuum in between every repetition.

If suction remains poor, the pre-filter needs to be replaced. If suction still remains poor afterwards, the HEPA filters need to be replaced. See instructions in chapter 6. FILTER CHANGE.

5. DUST STORAGE SYSTEM

The dust extractors are mainly equipped with continuous folding bagging system for effective dust storage or a regular plastic bag system depending on model. The continuous bag is a 22mtr long plastic tube that will be divided into plastic bags using the zip ties attached with the machine.

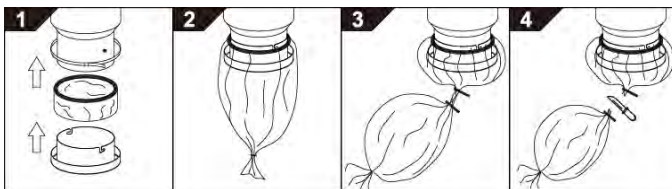
To assemble a new continuous bag:

Release the belt holding the last bag. Remove the holder, put in a new bag & pull out the inner end upwards. Assemble the holder on to the machine and strap the opening facing upwards with the belt. Pull down the outside end and close it using a zip tie.

All dust extractors can be used with continuous folding dust bags for single use. Also all models can be fitted with the continuous bag system.

Only change continuous bag or regular bag after filter cleaning cycle have been completed.

To operate the continuous bag:



1. Assemble the continuous bag, turn on the machine.
2. Turn off the machine, the dust will drop down to the bags.
3. Use a nylon tie to seal the bag
4. Cut the bag

6. FILTER CHANGE

Risk of dust dispersion - Use personal safety equipment

Unhealthy dust can be spread during filter change. Accordingly, the user should wear protective glasses, protective gloves, and a breathing mask conforming to protection class FFP3.



wear breathing mask

wear ear protection

wear protective glasses

WARNING

Remember to switch off the machine and pull the plug out of the outlet before servicing.

Pre-filter

Loosen the 3 clamps and remove the top. Take the bag from the new filter.

Lift out the filter and place it gently in a plastic bag. This bag must be properly disposed.

Insert a new filter.

Important:

If you are removing the Pre-filter in order to clean it. Hitting the filter with force or use of compressed air will destroy the filter. It can handle water, but high pressure water cleaning will destroy it.

HEPA Filter

Loosen the two nuts on each filter cover cap. Carefully lift the filter into a clean plastic bag, use the bag from the new filter. This bag must be properly disposed. Insert a new filter in reverse order.

Important:

HEPA filters can't be cleaned, trying this might destroy it. When installing the replacement filter, make sure to not touch the inside of the filter. Any kind of force/damage on the inside of filter media will destroy the new filter.

7. SERVICE

- When cleaning and servicing the machine, you must switch off the machine and remove the plug from the outlet.
- Avoid cleaning with a high pressure cleaner. If necessary, do not direct at the openings on the machine, especially the opening for cooling air.
- Before moving the machine from the work area, the machine must be cleaned.
- All other equipment must be regarded as contaminated and be treated thereafter.
- If possible, use a special suitable room.
- Proper personnel protective equipment must be used. Dust can be spread when the coarse filter and the absolute filter are replaced that can be hazardous to health. Accordingly, the user should wear protective glasses, protective gloves, and a breathing mask conforming to protection class FFP3.
- All parts which are contaminated after service must be properly disposed of in plastic bags according to all regulations.
- If the machine has to be used for other purposes, it is extremely important that the machine is cleaned, to avoid the spread of hazardous dust.
- Do not puncture the HEPA filter. Risk of dust dispersion.

8. WARRANTY

All Shark devices and accessories have a 12-month factory warranty counting from the manufacturing date on the machine. Do not attempt to repair the suction apparatus without the consent of the manufacturer.

The warranty does not cover defects which are the result of normal wear and tear, negligence, defective use, unauthorized repair or the suction apparatus being connected to the incorrect voltage.

In the event of any complaint, the suction apparatus or an agreed part of it must be returned to us or our authorised representative for warranty examination and for any warranty repair or replacement.

9. PROBLEM SOLVING

The dust extractors are designed and manufactured for severe environments and tasks, but the user must note that the machine must be protected from knocks and blows. Filter, seals, attachments, and connections are carefully adapted and selected with regard to the operator's work environment. Therefore, the operator and service personnel must treat the machine with care in order for it to work correctly for many years.

Issue	Cause	Solution
Motor doesn't start	No Power	Plug in machine
	Cable defective	Replace cable
	Switch defective	Replace switch
	Soft start defective	Replace soft star
Motor stops immediately after starting	Wrong fuse	Connect to correct fuse
	Shortcut in cable/machine	Order service
Motor runs but there is no suction	Hose not connected	Connect hose
	Hose clogged/blocked	Clean hose
	No dust collection bag	Fit dust collection system
Motor runs but poor suction	Hole in hose	Replace hose
	Filter clogged	Clean filter/Replace filter
	Loose top cover	Adjust
	Defective gaskets	Replace affected gaskets
Dust blown from motor	Wrongly assembled or damaged filter system	Adjust/Replace filters
Abnormal noise		Order service



Notice !!!

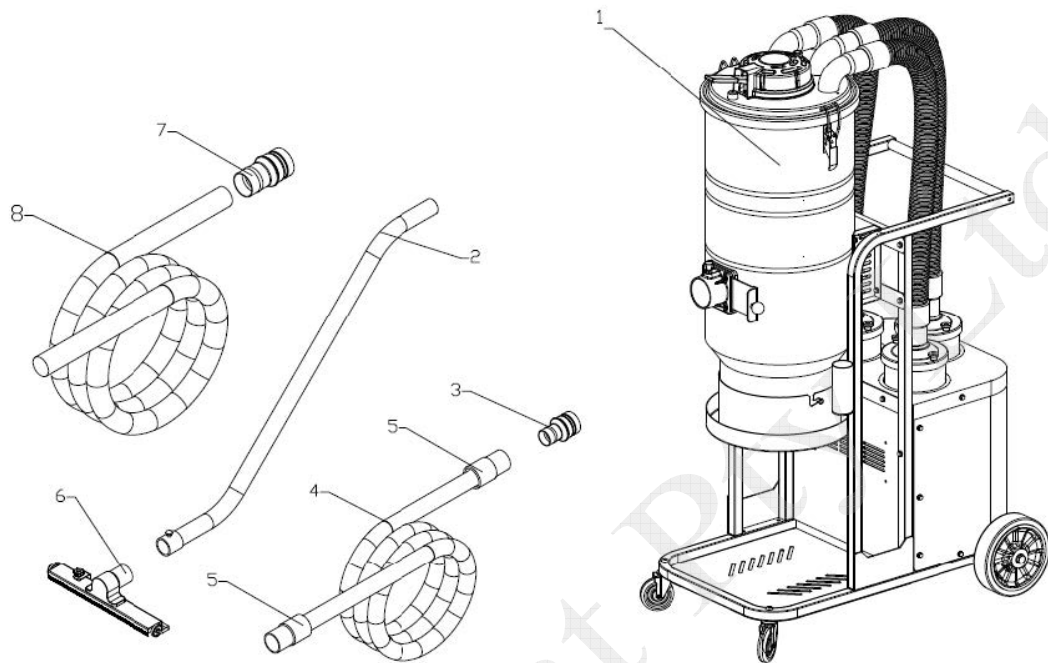
Any other problem please contact Shark service centre

10. TECHNICAL DATA

Data	Unit	H12 / 120V	H12 / 230V	H24 / 120V	H24 / 230V	H36 / 120V	H36 / 230V
Voltage	V	120V	230V	120V	230V	120V	230V
Power (max)	KW	1.2	1.2	2.4	2.4	2.4	3.6
	HP	1.6	1.6	3.2	3.2	3.2	4.8
Current(UL)	A	8	4	16	8	16	12
Airflow (max)	m ³ /h	200	200	400	400	600	485
	cfm	118	118	236	236	354	285
Vacuum(Max)	kpa						
	inch	90	90	90	90	90	72
Main hose	Metric (mm)	4mxD38	4mx D38	7.5mx D50	7.5mx D50	10mxD63	10mx D63
	USCS (inch)	13'x 1.5''	13'x 1.5''	24'X2''	24'X2''	32'X2.5''	32'X2.5''
Inlet	Metric (mm)	50	50	70	70	70	70
	USCS (inch)	2''	2''	2.8''	2.8''	2.8''	2.8''
Pre filter EN 779-F8	% @1μm	99.5	99.5	99.5	99.5	99.5	99.5
Pre filter area	Metric (m2)	1.7	1.7	3	3	4.5	4.5
	USCS (ft2)	18	18	32	32	48	48
HEPA filter EN1833-H13	% @0.3μm	99.99	99.99	99.99	99.99	99.99	99.99
H13 HEPA filter area	Metric (m2)	1.2	1.2	2.4	2.4	3.6	3.6
	USCS (ft2)	13	13	26	26	39	39
Dust collection system	Type	Continuous bag	Continuous bag	Continuous bag	Continuous bag	Continuous bag	Continuous bag
Dimensions (L*W*H)	Metric (mm)	420x680x1100	420x680x1100	570x710x1270	570x710x1270	630x840x1470	630x840x1470
	USCS (inch)	16.5x26.7x43.3	16.5x26.7x43.3	22.4x28x50	22.4x28x50	24.8x33x57.8	24.8x33x57.8
Weight	Metric (kg)	30	30	48	48	65	65
	USCS (lbs)	67	67	107	107	145	145

H36 120V/ H36 230V

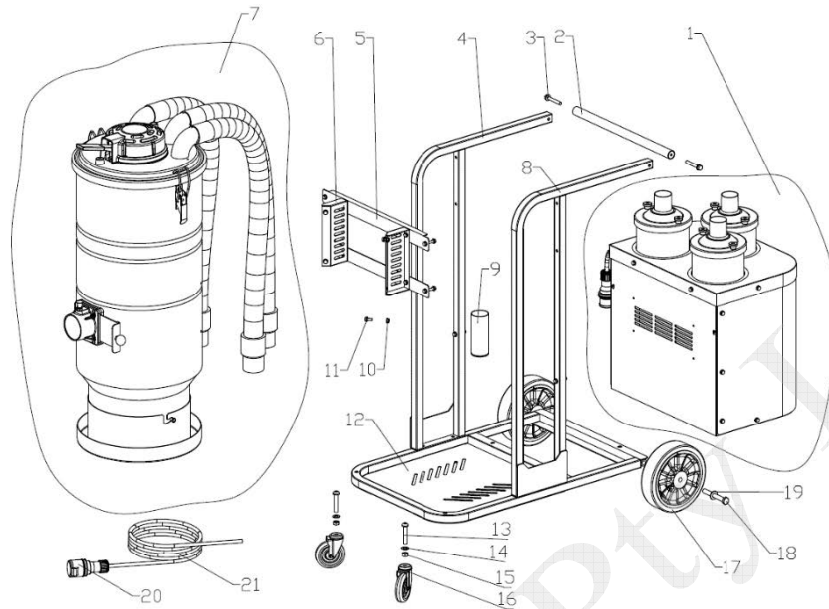
Packing list



S/N	P/N	Description	Quantity	Unit
1		H36 dust extractor	1	PC
2	S8046	D50 S wands	1	PC
3	C2031	D70/50 reducer	1	PC
4	S8008	D50 anti static EVA hose	7.5	Meter
5	S8006	D50 hose cuff	1	PC
6	S8045	D50 floor brush	1	PC
7	S2144	D70/63 reducer	1	PC
8	S8037	D63 PU hose with PC spiral	10	Meter

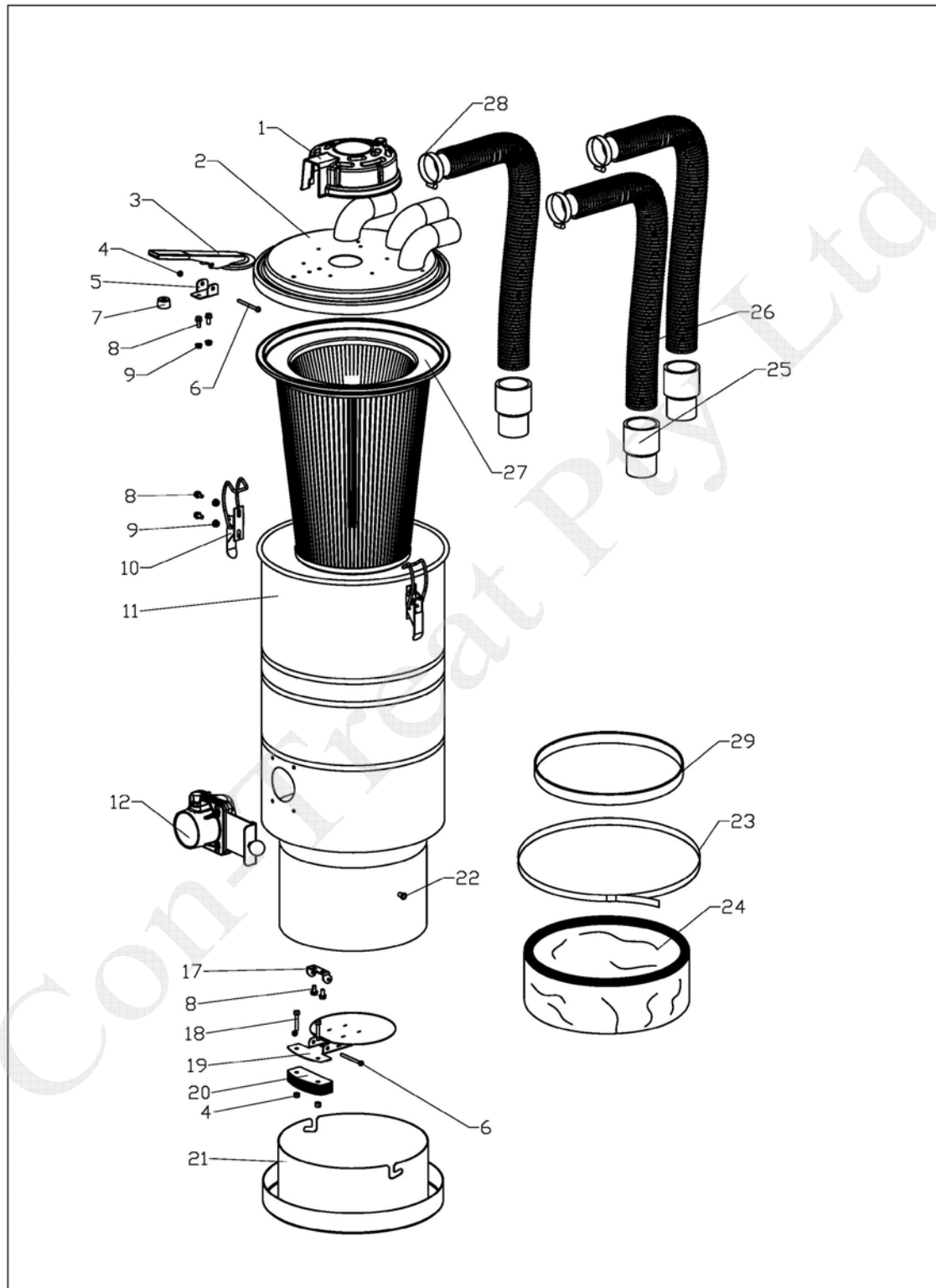
H36 120V/ H36 230V

Exploded views



S/N	P/N	Description	Quantity	Dimension
1		H36 engineer system kit	1	
2	C2143	H36 handle	1	
3	S0023	Nut	2	M6*35
4	C2138	H36 right stand column	1	
5	C1108	H36 cross bar	2	
6	C2159	H series connection plate	2	
7		H36 dustbin kit	1	
8	C2137	H36 left stand column	1	
9	C2083	nylon cable tie storage container	1	
10	S0011	Nut	8	M6
11	S0010	Bolt	4	M6*12
12	C2135	H36 bed plate	1	
13	S0032	Bolt	2	M10*60
14	S0045	Washer	2	M10
15	S0015	Nut	2	M10
16	C9066	Front wheel	2	3''
17	S9011	Rear wheel kit	2	8''
18	S0033	Bolt	2	M12*100
19	S0046	Washer	2	M12*30*2.5
20	S1014	Plug	1	
21	S2007	Electric wire	8	3*2.5

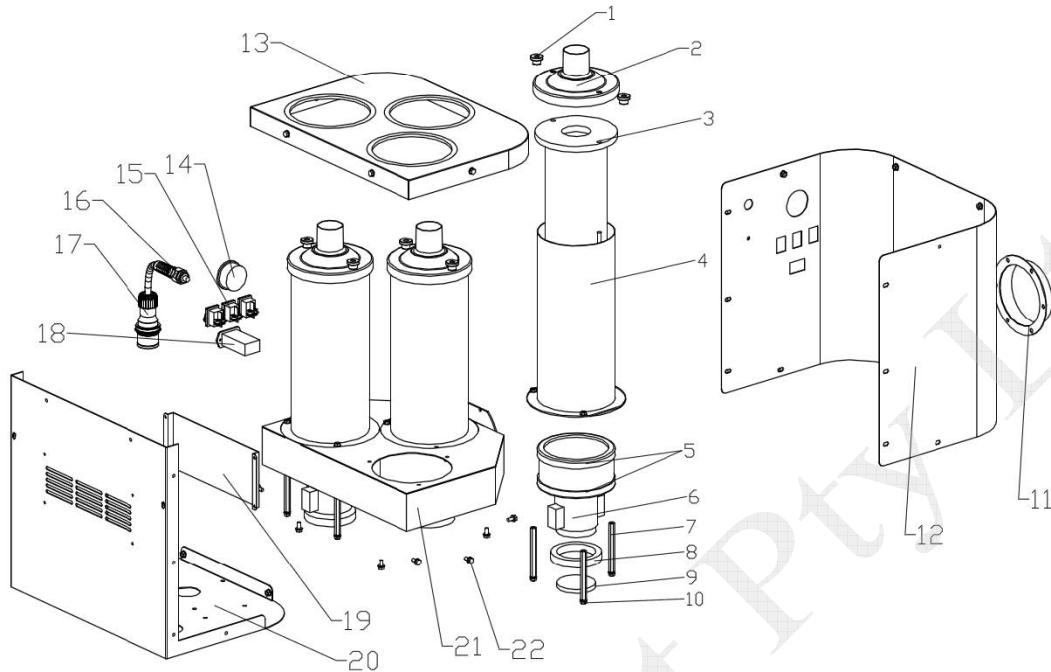
H36 120V/ H36 230V
Dustbin kit



S/N	P/N	Description	Quantity	Dimension
1	C3026	Plastic cover	1	
2	C2117	H36 top cap	1	
3	C2134	Lever (for jet pulse filter cleaning)	1	
4	S0013	Nut	5	M6
5	C2057	Lever holder	1	
6	S0028	Bolt	2	M6*60
7	S0088	Cushion	1	
8	S0010	Bolt	6	M6*12
9	S0011	Nut	8	M6
10	S0059	Holder kit	2	
11	C2120	H36 barrel	1	
12	B0008	D70 inlet kit	1	
17	C2092	Holder	1	
18	S0023	Bolt	2	M6*35
19	C2090	Flap assembly kit	1	
20	C2091	Balancing weight	6	
21	C2084	Continuous bag holder packing	1	
22	S0089	Nut	2	M8*15
23	S0090	Belt packing	1	
24	S8035	Continuous folding bag	1	
25	S8006	D50 hose cuff	3	
26	S8007	D50 EVA hose	3	D50*650mm
27	S8030	H36 main filter	1	
28	S0092	Hose Clamp	3	40-63
29	S8036	Rubber ring	1	

H36120V/ H36 230V

Engine kit



S/N	P/N	Description	Quantity	Dimension	Note
1	C2126	H36 engine cover	1		
2		Engine kit	2		
3	S0006	Connector	1	PG11	
4	S2005	Cable with electricity plug	1	3*1.5/8 meters length, -RVV-10A plug	240V
	S2006	Cable with electricity plug	1	3*2.0/ 8 meters length, -RVV-US plug	110V
5	C1106	Baffle	1		
6	C2128	H36 engine cover(front)	1		
7	C2131	H36 engine over(front)	1		
8	S9022	Vacuum meter	1		
9	S1001	Switch	2		
10	S1038	Hour counter	1		
11	S0010	Bolt	20	M6*12	